

# Component Specification Sheet

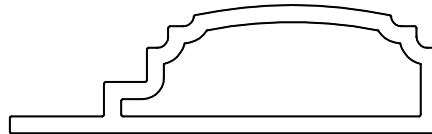


Toll Free: 1-800-705-1446 we can help you with your order

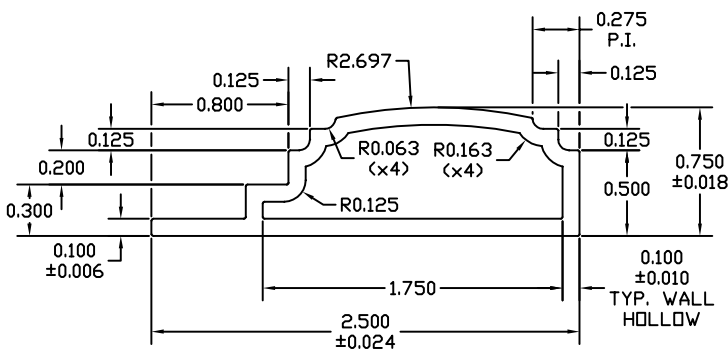
**Part Name: Square Sign**

**Identification Number: SF-SQXX**

**Finish: Powder coat finish (standard gloss black)**



Layover



DESCRIPTION			
FRAME REV B			
EST.WT/FT	0.629	WALLS	0.100
RATIO	41	FACTOR	10
CIRCLE SZ.	2.610	ALLOY	6063 T5
EST. PER.	6.229	EST. AREA	0.524
NO. HOLES	2	TYPE	HOLLOW
			DIE NO.
			X6067

ACTUAL SIZE

- BREAK UNNOTED SHARP CORNERS R0.010
- NO EXPOSED SURFACES